

## GM-SH Stainless Steel 316 Stamped Hinge

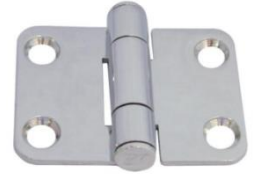
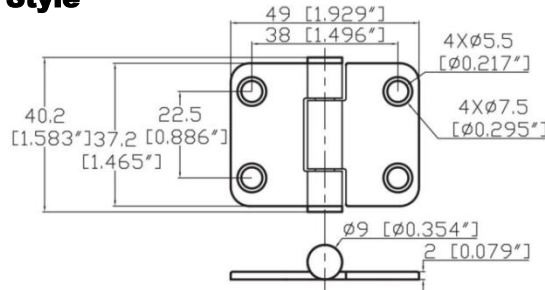
### Features

- Countersunk screw holes
- Bright polished finish
- Durability and aesthetics combined

### Material

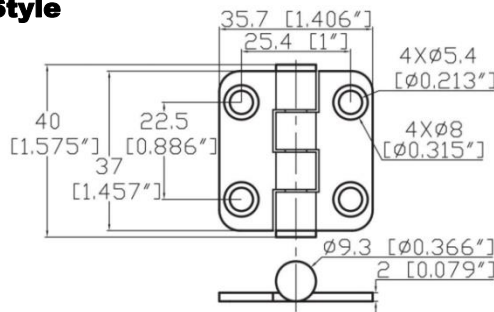
- Stainless steel 316

### Butt Hinge, Barrel Up Style



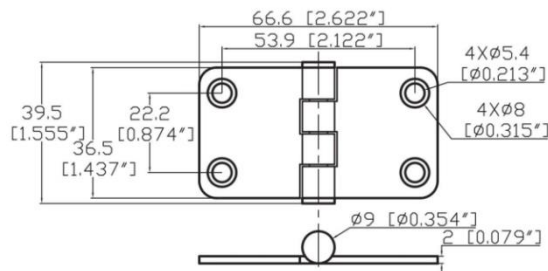
Part No.	Dimensions	Screw Size
GM-SH-J424814	37.2 x 49	#8 or M4

### Butt Hinge, Barrel Up Style



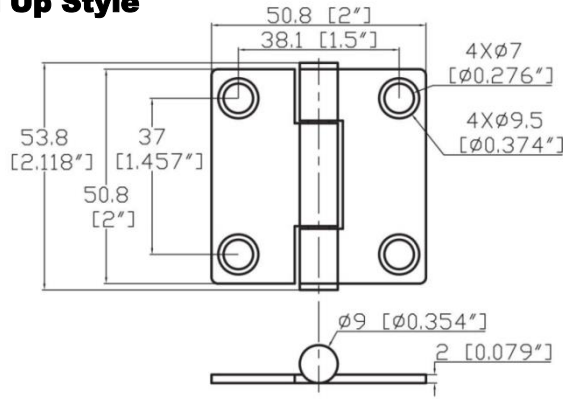
Part No.	Dimensions	Screw Size
GM-SH-J022301	37 x 35.7	#8 or M4

### Butt Hinge, Barrel Up Style



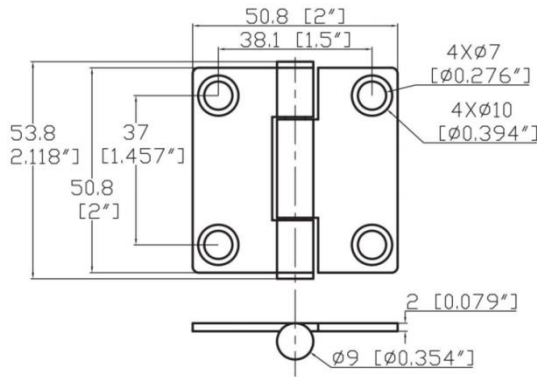
Part No.	Dimensions	Screw Size
GM-SH-J022322	36.5 x 66.6	#8 or M4

## Butt Hinge, Barrel Up Style



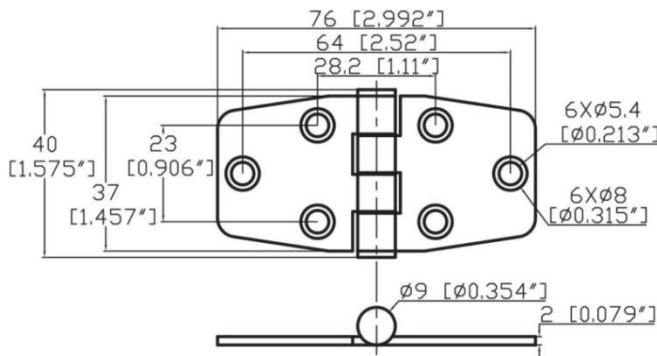
Part No.	Dimensions	Screw Size
GM-SH-J519862	50.8 x 50.8	#10 or M5

## Hinge, Barrel Down Style



Part No.	Dimensions	Screw Size
GM-SH-J519863	50.8 x 50.8	#10 or M5

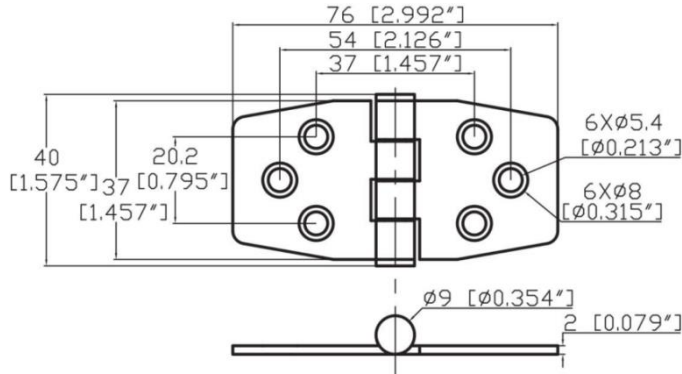
## Hinge, Barrel Up Style



Part No.	Dimensions	Screw Size
GM-SH-J022340	37 x 76	#8 or M4

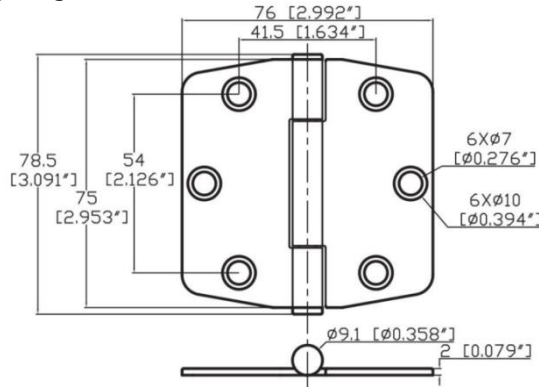
FREE SWINGING HINGES

### Hinge, Barrel Up Style



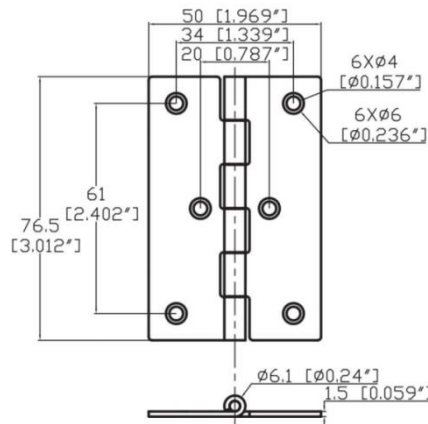
Part No.	Dimensions	Screw Size
GM-SH-J022306	37 x 76	#8 or M4

### Hinge, Barrel Up Style



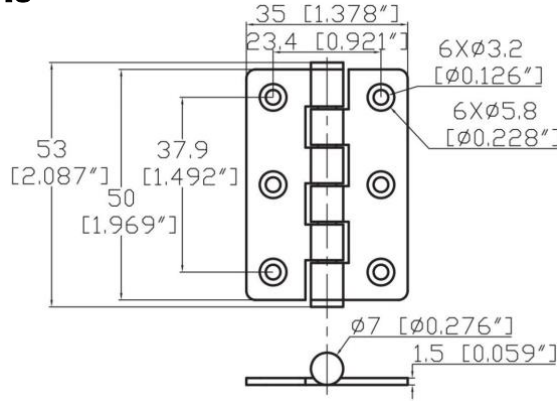
Part No.	Dimensions	Screw Size
GM-SH-J424856	75 x 76	#10 or M5

### Hinge, Barrel Up Style



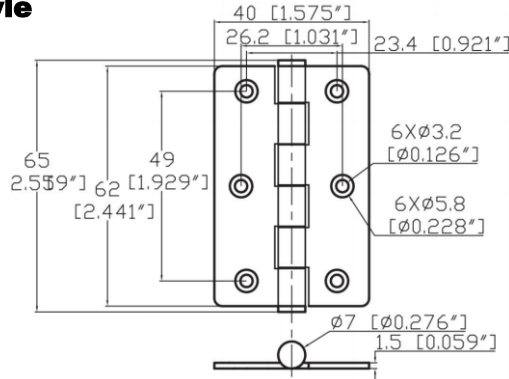
Part No.	Dimensions	Screw Size
GM-SH-J424829	76.5 x 50	#6 or M3

## Hinge, Barrel Up Style



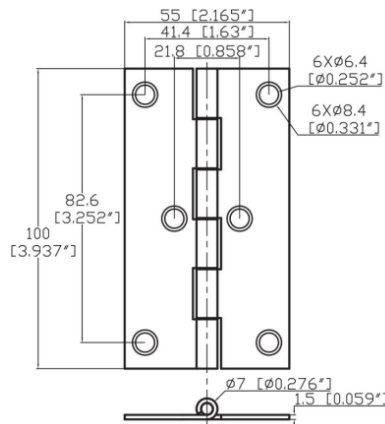
Part No.	Dimensions	Screw Size
GM-SH-J022335	50 x 35	#6 or M3

## Hinge, Barrel Up Style



Part No.	Dimensions	Screw Size
GM-SH-J022336	62 x 40	#6 or M3

## Hinge, Barrel Up Style

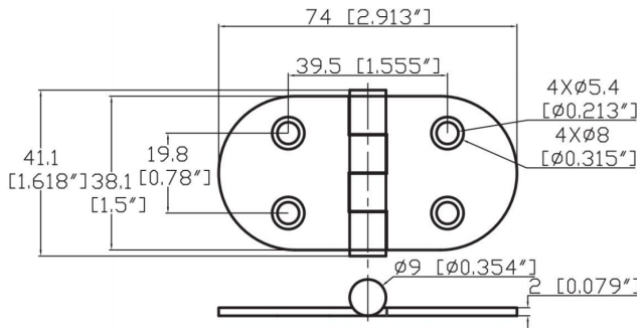


Part No.	Dimensions	Screw Size
GM-SH-J022338	100 x 55	#8 or M4

FREE SWINGING HINGES

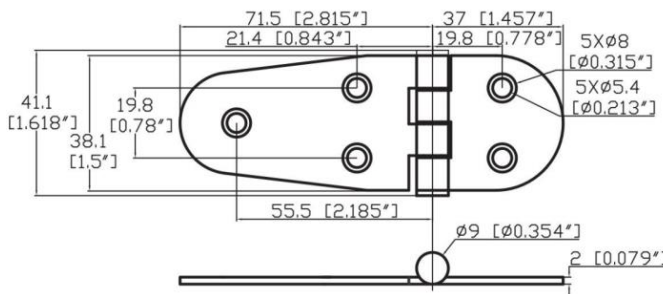


## Round Side Hinge, Barrel Up Style



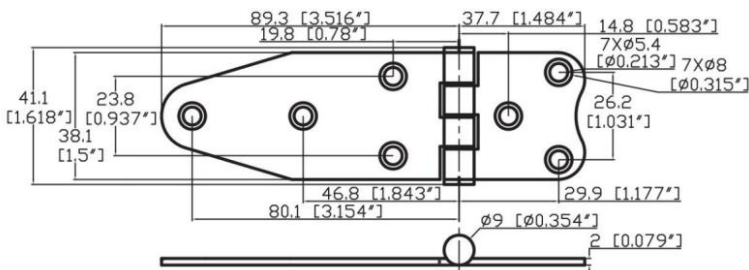
Part No.	Dimensions	Screw Size
GM-SH-A011027	38.1 x 74	#8 or M4

## Round Side Hinge, Barrel Up Style



Part No.	Dimensions	Screw Size
GM-SH-A011028	38.1 x 108.5	#8 or M4

## Hinge, Barrel Up Style



Part No.	Dimensions	Screw Size
GM-SH-A011030	38.1 x 127	#8 or M4